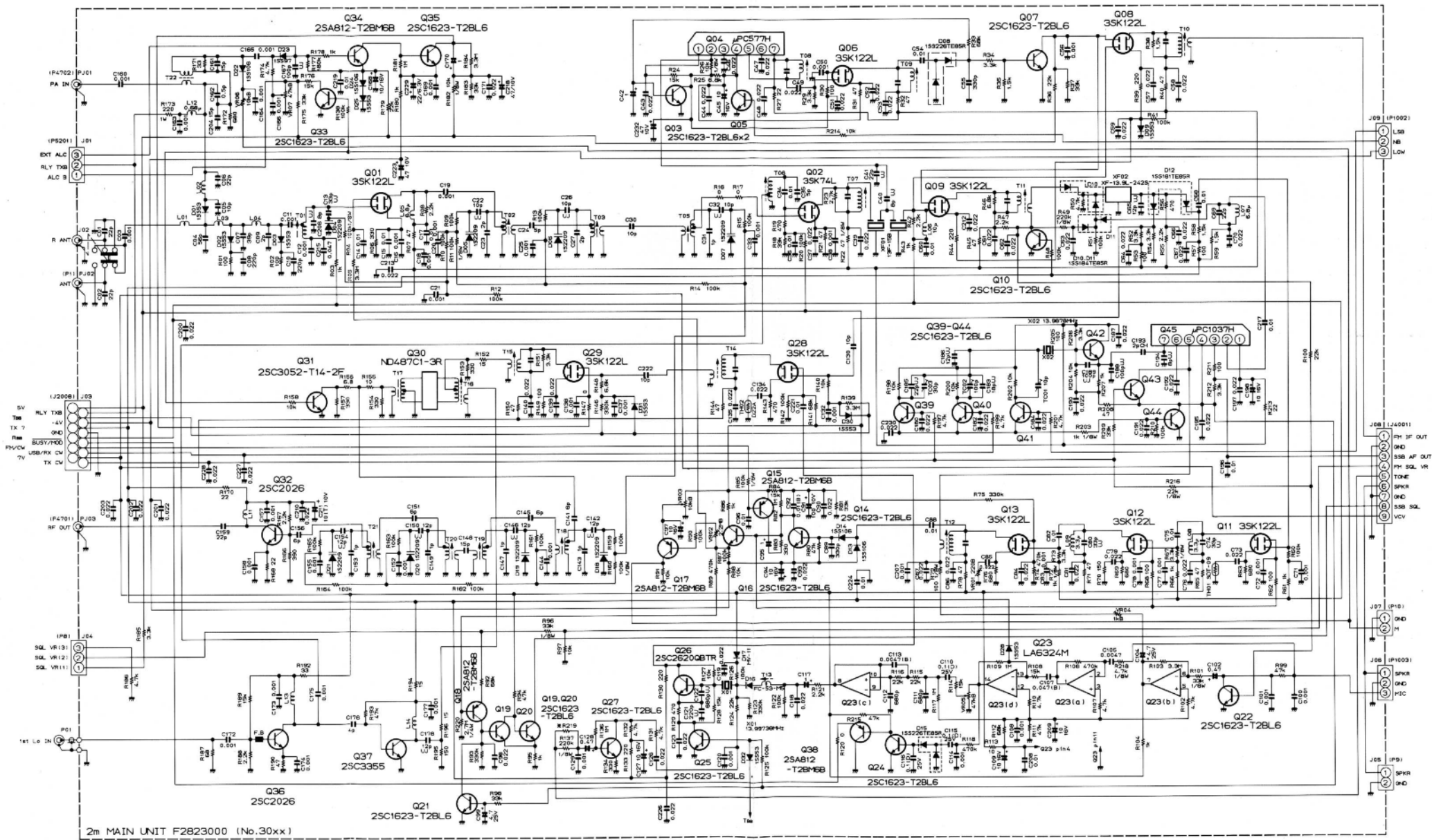


for free by  
RadioAmateur.eu

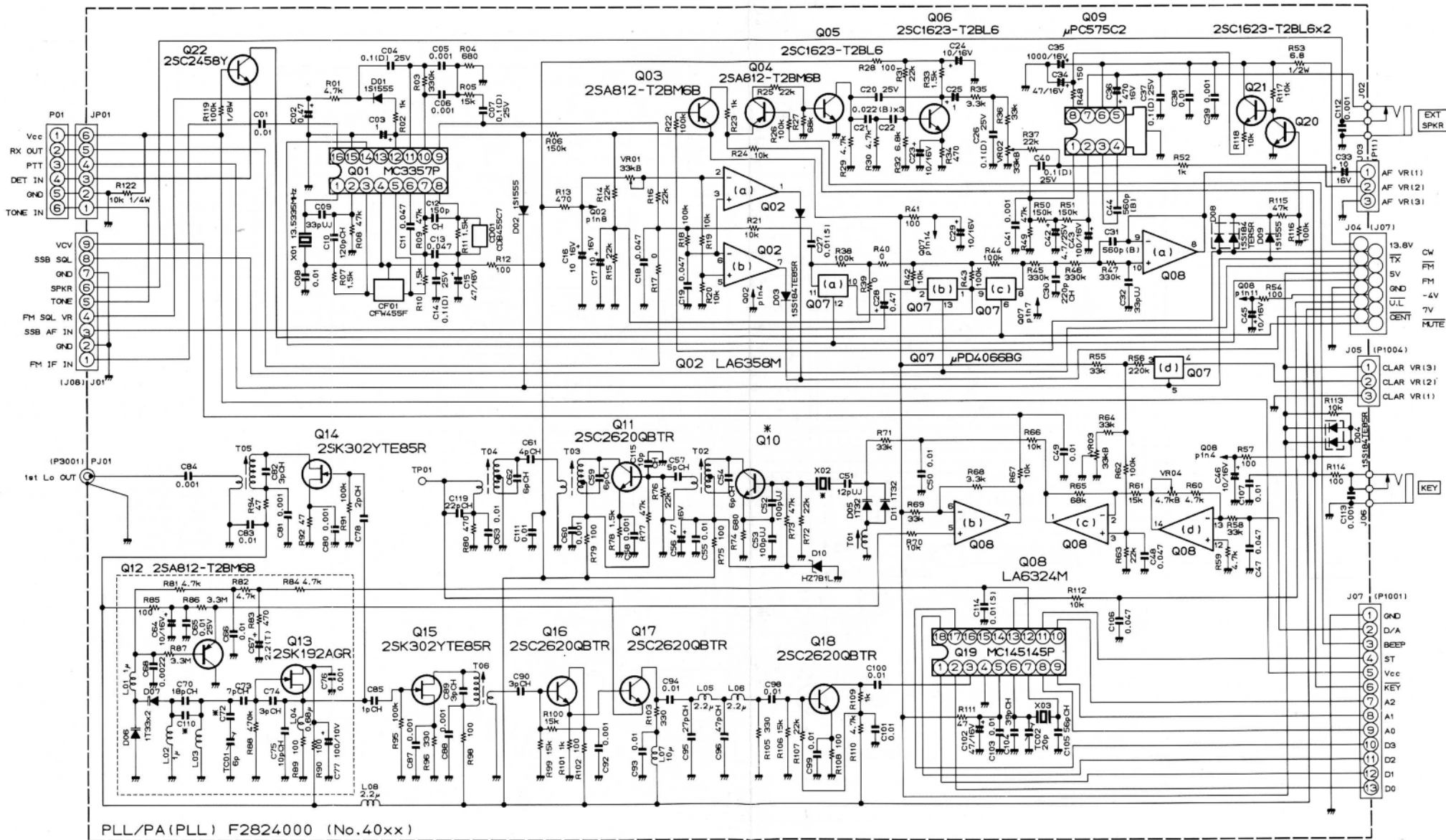
thanks to IW2HEU

**FT-290R II**  
**CONNECTION DIAGRAM**



A1, A2, F	R219
B, C, D, E1, E2, E3, 0	1/10M

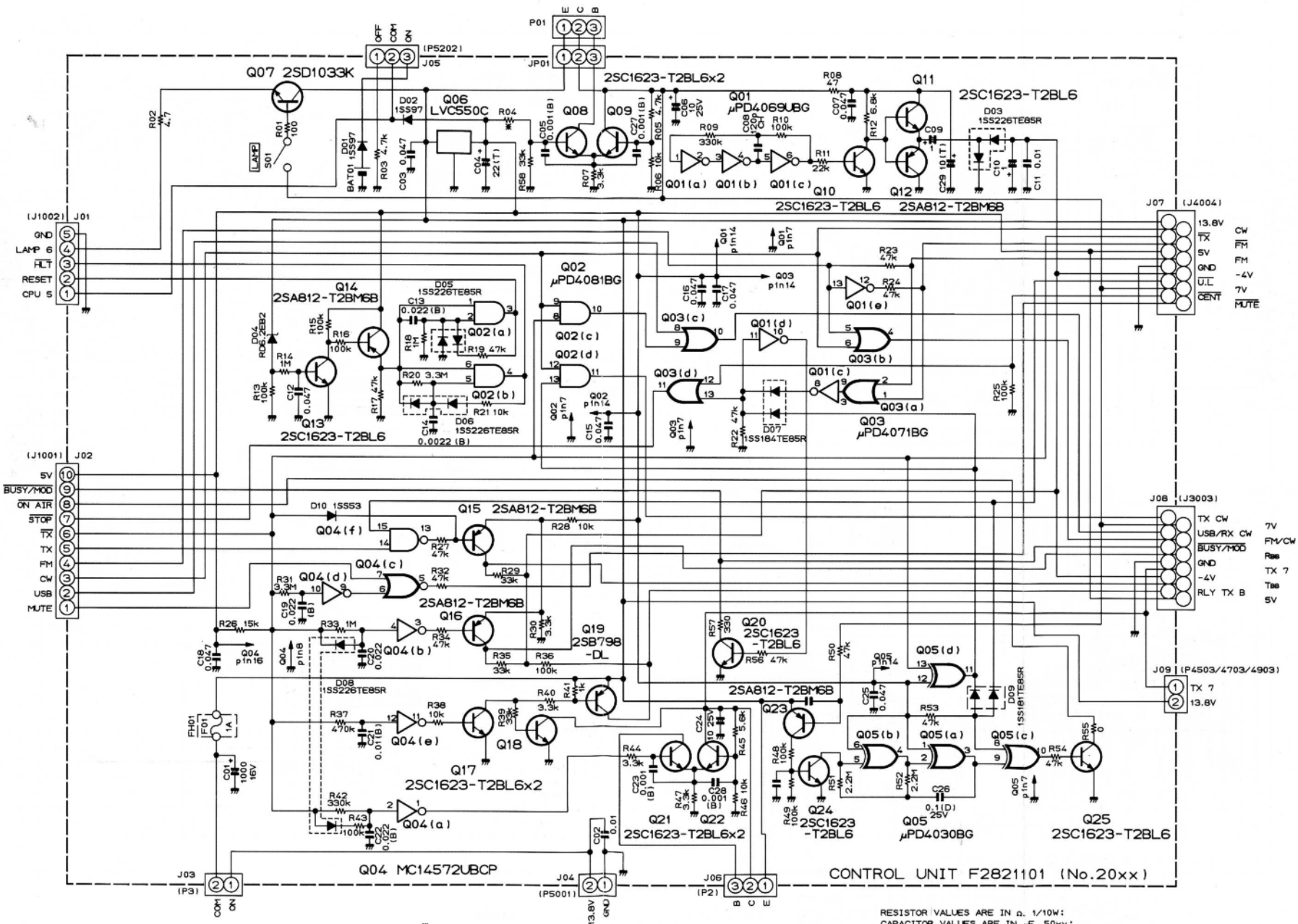
RESISTOR VALUES ARE IN Ω, 10Ω, 100Ω, 1K, 10K, 100K, 1M, 10M, 100M, 1G.  
 CAPACITOR VALUES ARE IN pF, 50V.  
 INDUCTOR VALUES ARE IN HENRIES UNLESS OTHERWISE NOTED.  
 (\*) CAPACITOR ARE TANTALUM, 100V.



PLL/PA (PLL) F282400 (No. 40xx)

	X02	C72	C110	Q10
A1, A2, B, C1, C2, D, E1, E2	122.0315MHz	15pCH	2pCH	25C1623-T2BL6
E3, F, G	126.7215MHz	10pCH		25C2620QBTR

RESISTOR VALUES ARE IN Ω 1/10W;  
 CAPACITOR VALUES ARE IN μF, 50wv;  
 INDUCTOR VALUES ARE IN HENRIES, UNLESS OTHERWISE NOTED.  
 (S) CAPACITORS ARE SEMICONDUCTOR CERAMIC, 25wv.  
 (T) CAPACITORS ARE TANTALUM, 16wv.



RESISTOR VALUES ARE IN  $\Omega$ , 1/10W;  
 CAPACITOR VALUES ARE IN  $\mu$ F, 50V;  
 UNLESS OTHERWISE NOTED.  
 (T) CAPACITORS ARE TANTALUM, 10WV.

	R04
5m MODEL	2.2k $\Omega$
2m MODEL	0 $\Omega$

